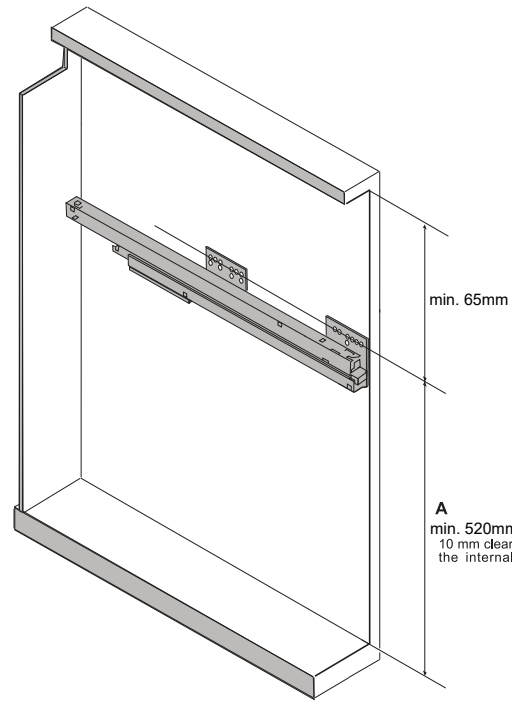
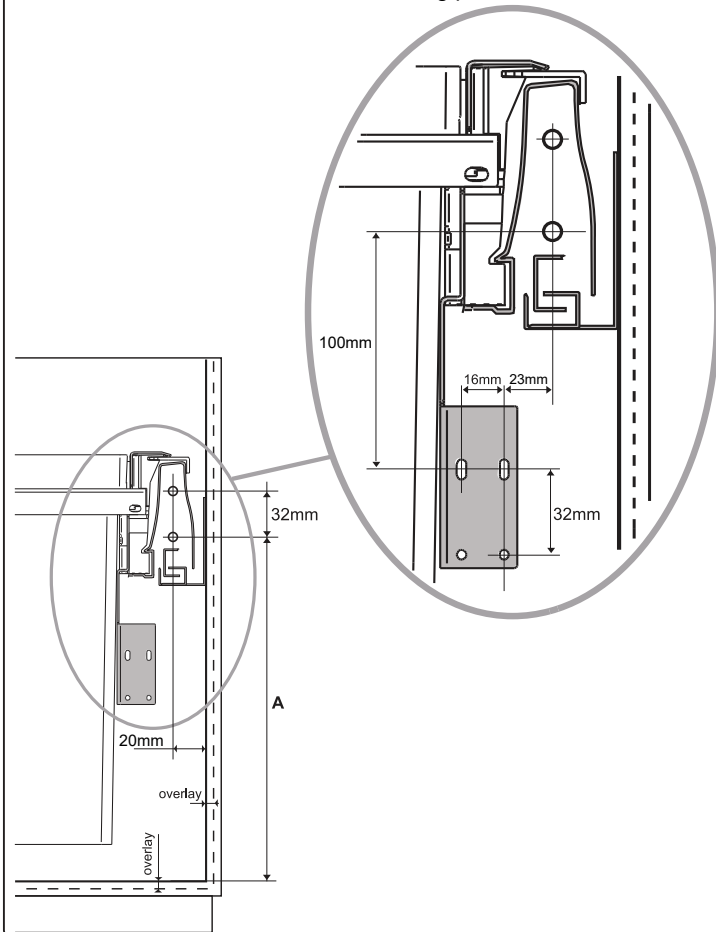


## Riex NX40

Riex NX40 carcass drawer runner position

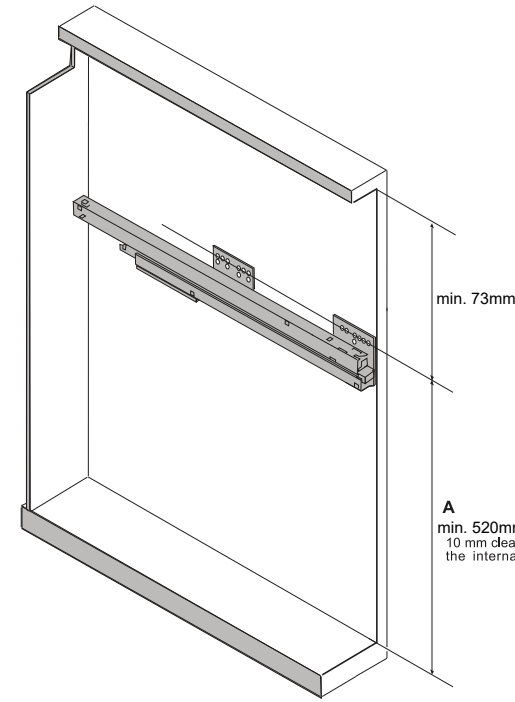


Riex NX40 drawer front drilling position

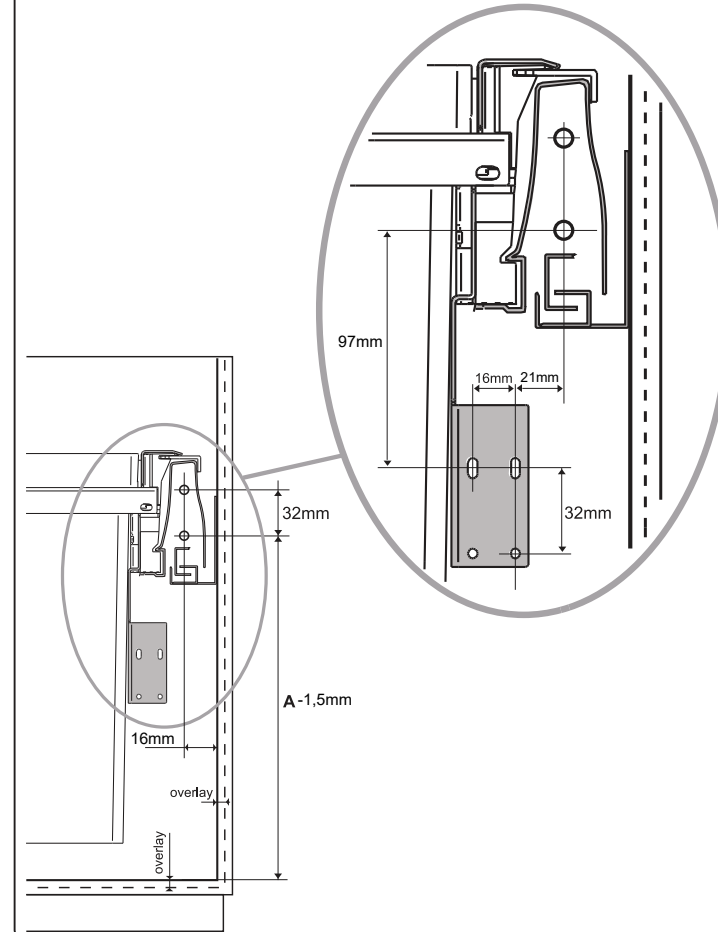


## Riex ND30

Riex ND30 carcass drawer runner position

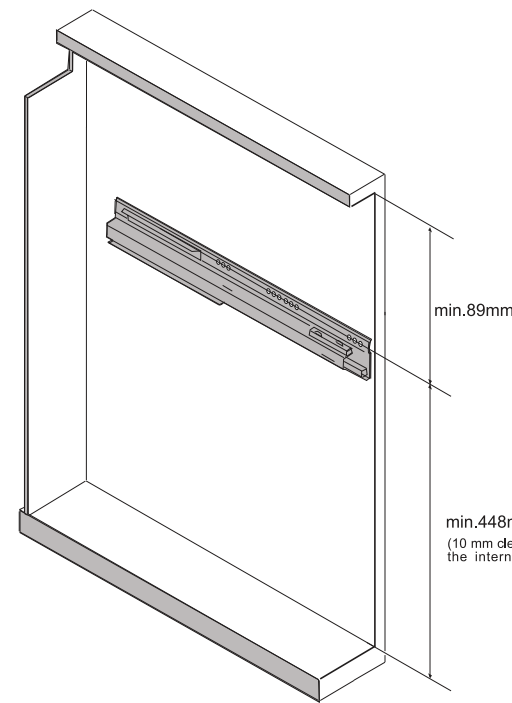


Riex ND30 drawer front drilling position

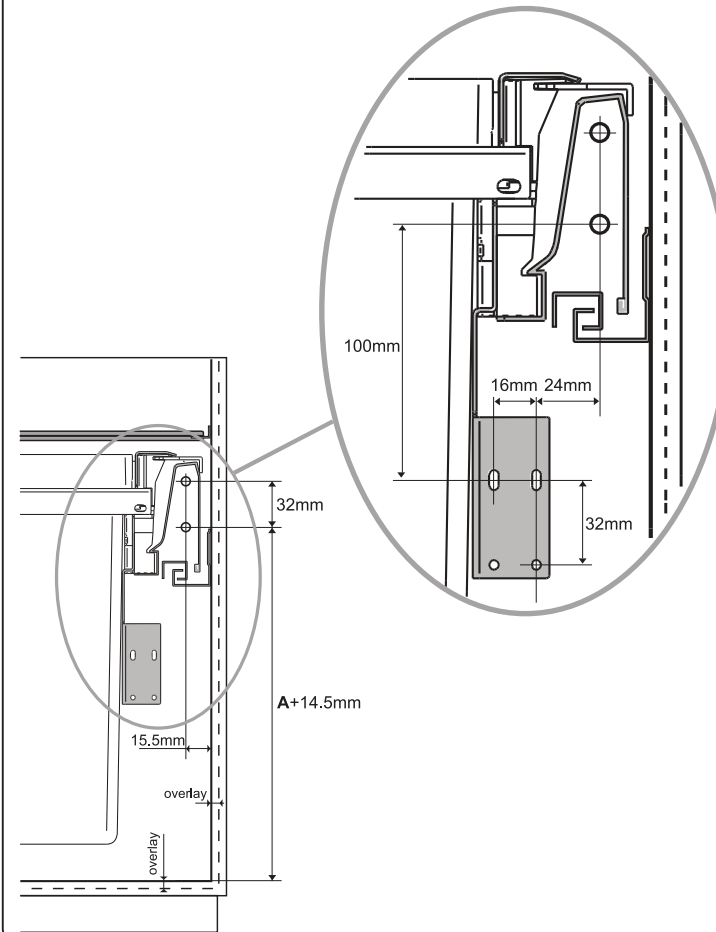


## Blum Tandembox

Blum Tandembox carcass drawer runner position

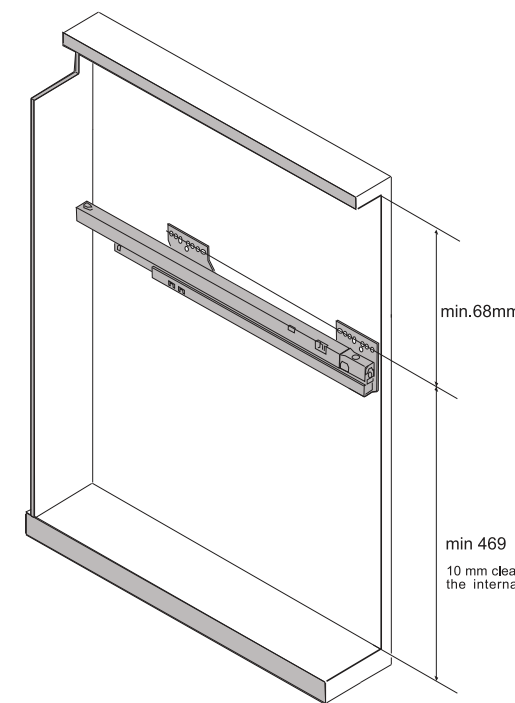


Blum Tandembox drawer front drilling position

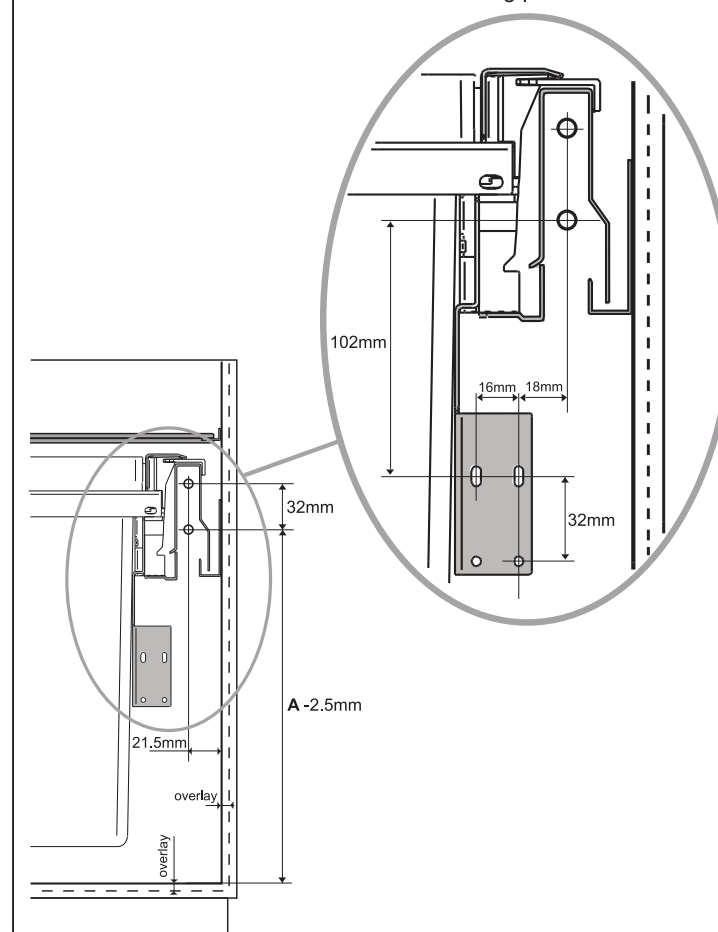


## Grass Nova Pro

Grass Nova Pro carcass drawer runner position

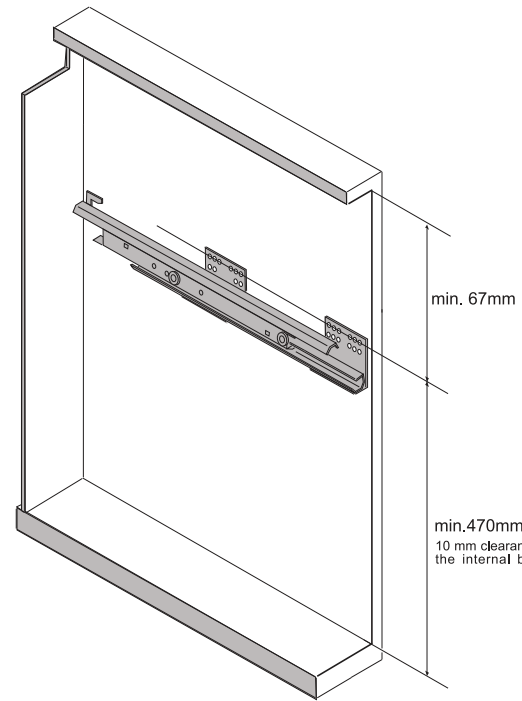


Grass Nova Pro drawer front drilling position

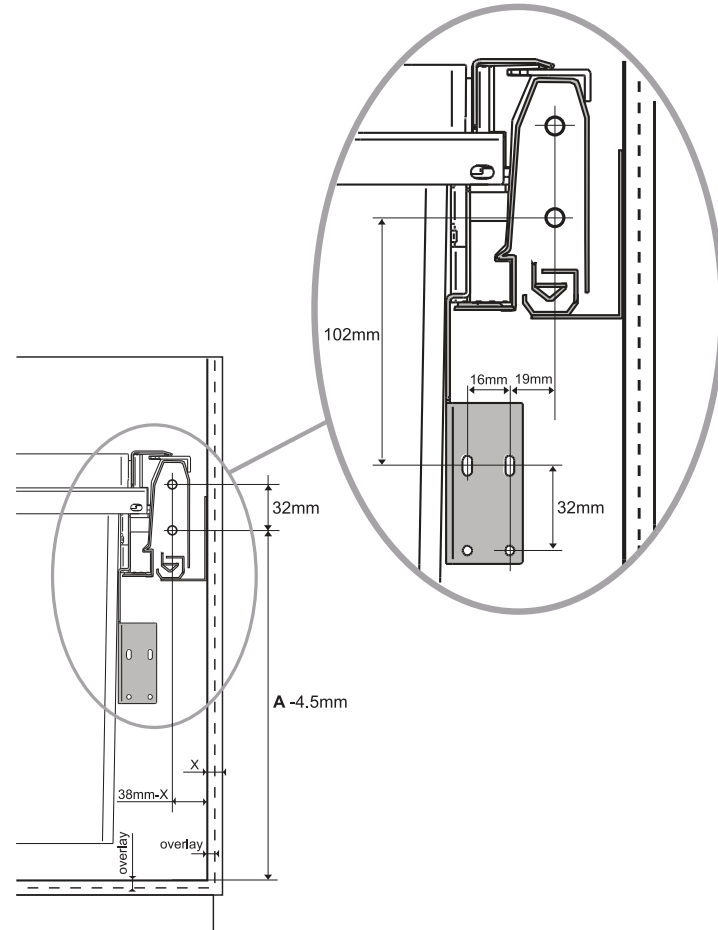


## Hettich Arcitech

Hettich Arcitech carcass drawer runner position

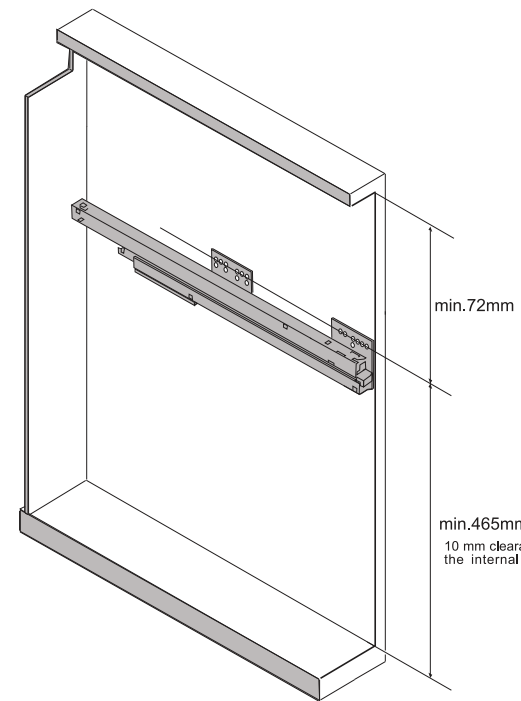


Hettich Arcitech drawer front drilling position



## Grass DWD XP

Grass DWD XP carcass drawer runner position



Grass DWD XP drawer front drilling position

