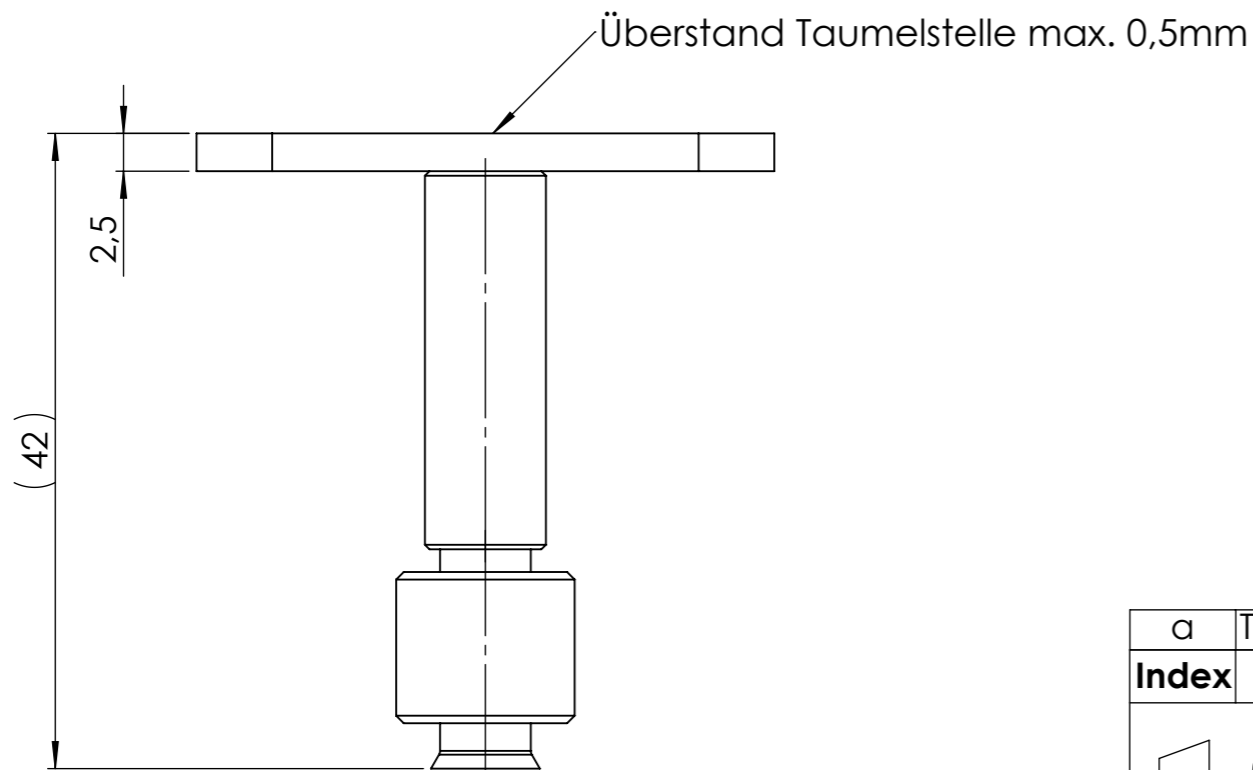
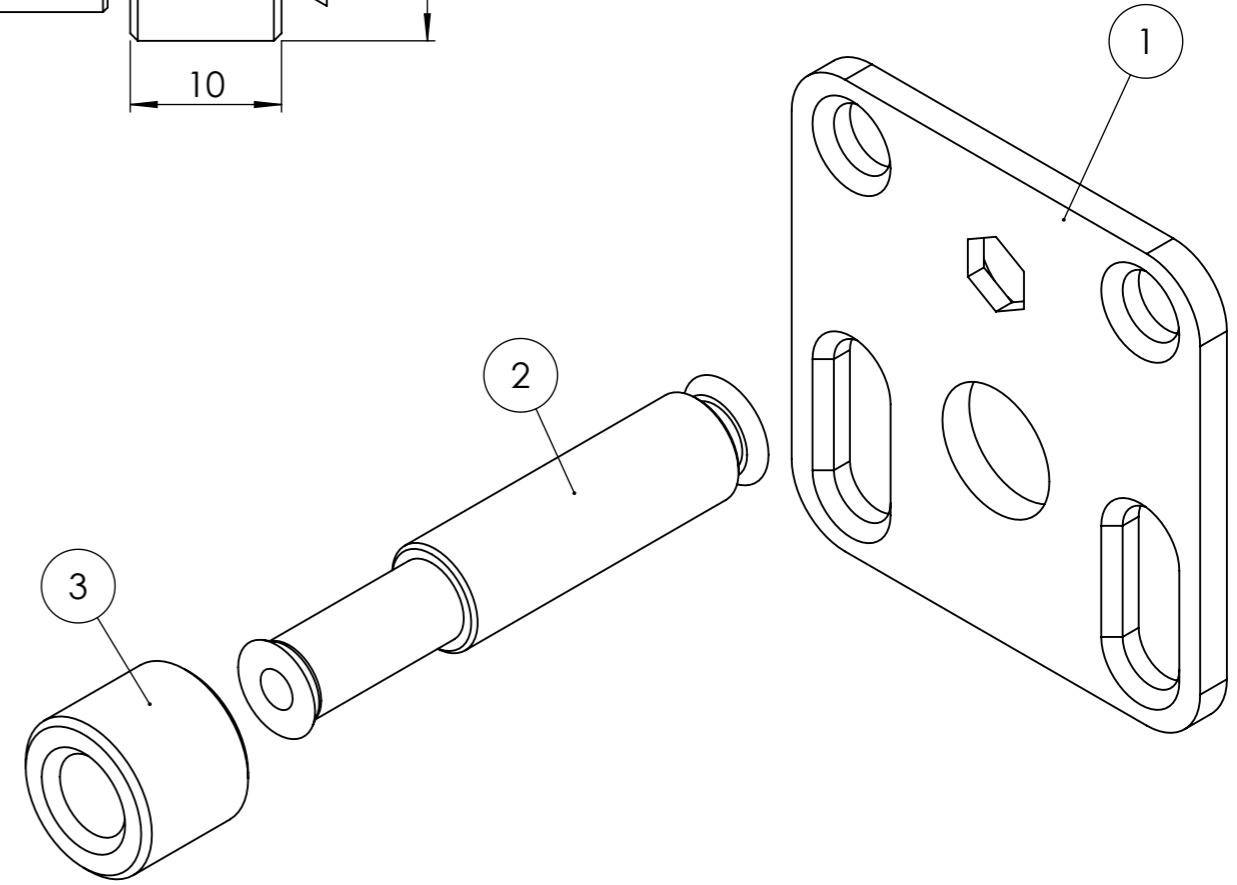
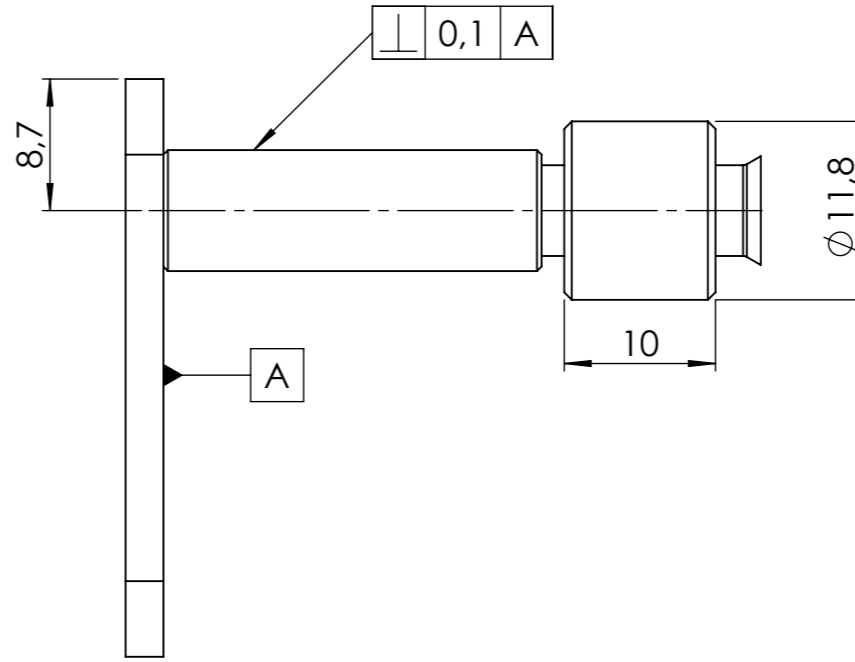
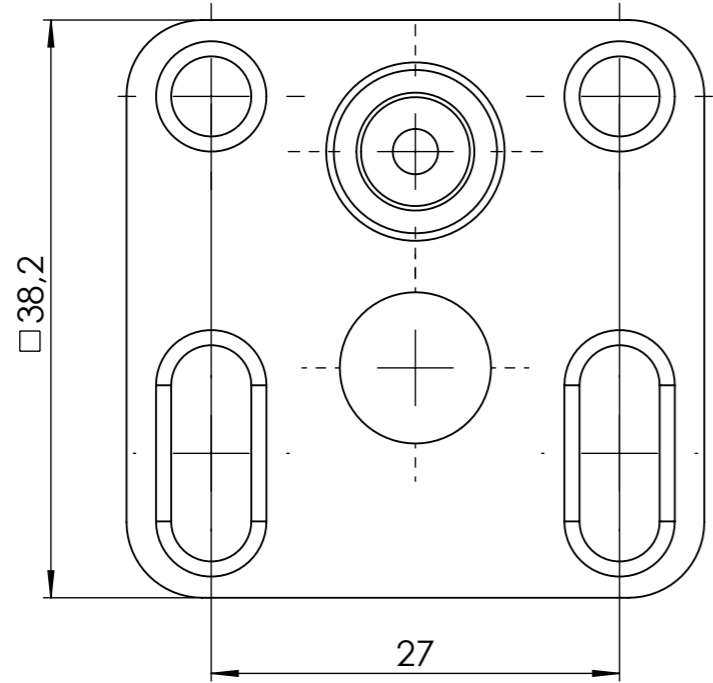


All property rights and rights to exploitation of copyright for this drawing data remain ours; they may not be made available to third parties without our consent.



POS.	Item.No	Artikelbezeichnung	Menge
1	23000901	Anschraubplatte, 38x38x2,5-Rohling-vz	1
2	14111	E118, Bolzen für Stützabrollelement Ø8x43,5mm	1
3	14112	E119, Laufrolle für Stützabrollelement Ø11,8x10mm	1

a	Toleranzangabe angepasst ALT: 0,05 / NEU: 0,1 mm		24.07.2017	PVD
Index	Change		Date	Name
 DIN ISO 128-30	Description: Stütz.-Abrollelement, Rolle Ø11,7			
	Surface: galvanized		Material: diverse	Weight: 0.04 kg
PÖTTKER Transforming furniture	Name	Date	Company	
	Signed	Vandyck	23.12.2013	
	Tested	P. Vandyck	24.07.2017	Second Company:
General tolerance: DIN ISO 2768 - m		Item No: 14087	Scale 2:1	Page 1/1 A3