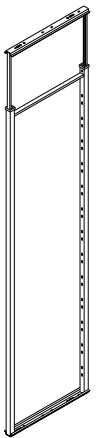

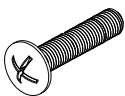
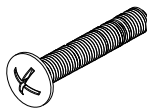


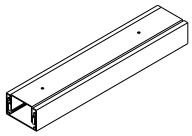
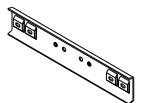
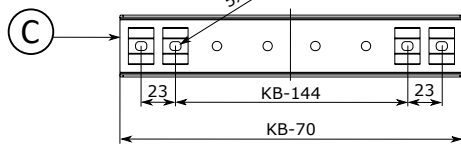
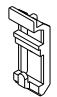
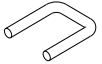
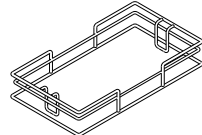
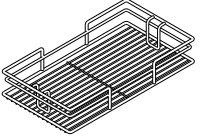
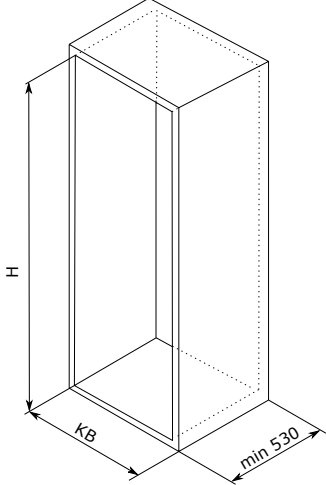


# RiEx

	A	1x	 3,5x18	H	12x																																																								
			 M6x20	I	2x																																																								
			 M6x25	J	4x																																																								
			 M4x25	K	*																																																								
			 M6	L	*																																																								
	B	1x	<b>1</b> <table border="1"> <thead> <tr> <th>H</th> <th>*C</th> <th>*D</th> <th>*E</th> <th>*F</th> <th>*G</th> <th>*K</th> <th>*L</th> </tr> </thead> <tbody> <tr> <td>1250 - 1400</td> <td>2</td> <td>8</td> <td>2</td> <td>4</td> <td>4</td> <td>4</td> <td>4</td> </tr> <tr> <td>1400 - 1550</td> <td>3</td> <td>10</td> <td>3</td> <td>5</td> <td>5</td> <td>6</td> <td>6</td> </tr> <tr> <td>1550 - 1700</td> <td>3</td> <td>10</td> <td>3</td> <td>5</td> <td>5</td> <td>6</td> <td>6</td> </tr> <tr> <td>1700 - 1850</td> <td>3</td> <td>12</td> <td>3</td> <td>6</td> <td>6</td> <td>6</td> <td>6</td> </tr> <tr> <td>1850 - 2000</td> <td>3</td> <td>12</td> <td>3</td> <td>6</td> <td>6</td> <td>6</td> <td>6</td> </tr> <tr> <td>2000 - 2150</td> <td>3</td> <td>14</td> <td>3</td> <td>7</td> <td>7</td> <td>6</td> <td>6</td> </tr> </tbody> </table>			H	*C	*D	*E	*F	*G	*K	*L	1250 - 1400	2	8	2	4	4	4	4	1400 - 1550	3	10	3	5	5	6	6	1550 - 1700	3	10	3	5	5	6	6	1700 - 1850	3	12	3	6	6	6	6	1850 - 2000	3	12	3	6	6	6	6	2000 - 2150	3	14	3	7	7	6	6
H	*C	*D				*E	*F	*G	*K	*L																																																			
1250 - 1400	2	8				2	4	4	4	4																																																			
1400 - 1550	3	10				3	5	5	6	6																																																			
1550 - 1700	3	10				3	5	5	6	6																																																			
1700 - 1850	3	12	3	6	6	6	6																																																						
1850 - 2000	3	12	3	6	6	6	6																																																						
2000 - 2150	3	14	3	7	7	6	6																																																						
	C	*	 <p>5x8</p> <p>23 KB-144 23</p> <p>KB-70</p>																																																										
	D	*																																																											
	E	*																																																											
	F	*																																																											
	G	*																																																											

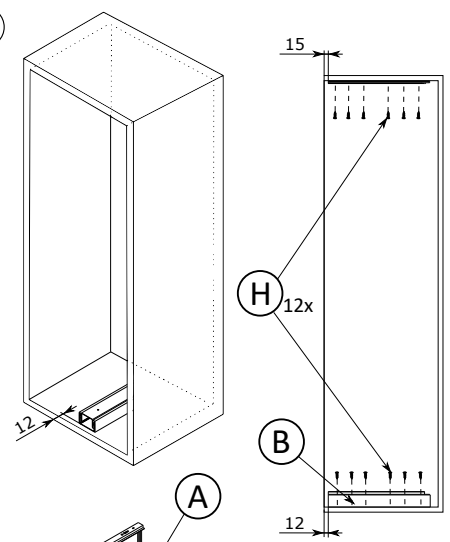


H

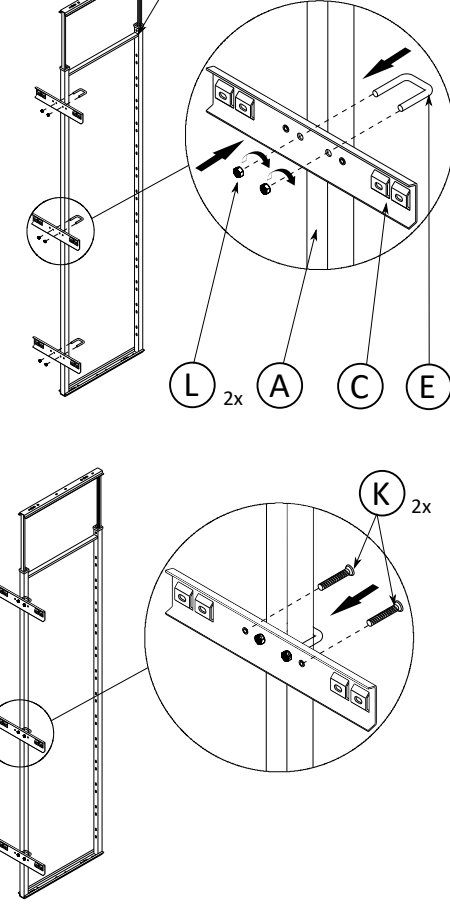
KB

min 530

**2**



**3**



**3**

