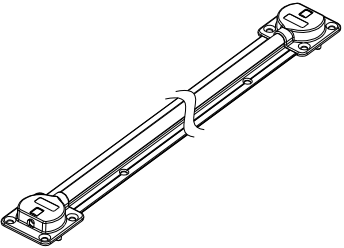

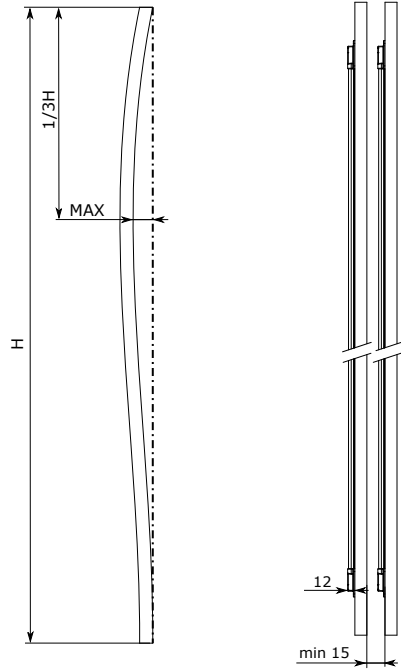
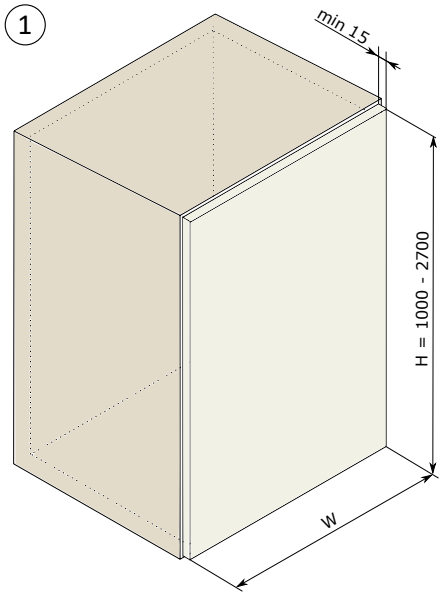


# RiEx

	<b>A</b>	<b>1x</b>
	<b>B</b>	<b>1x</b>

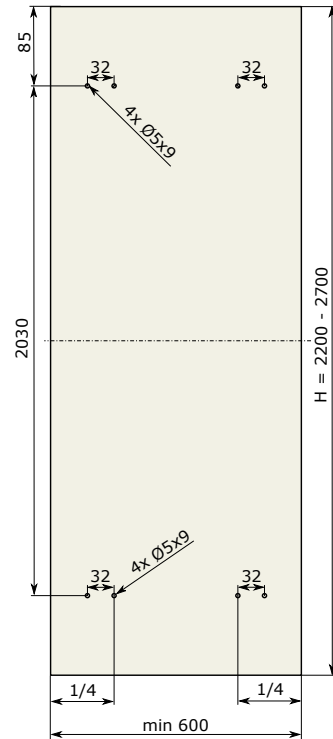


$H > 2200$



$W \leq 600$  1 - 2x (A)

$W > 600$  2x (A)



②  $H \leq 2200$

